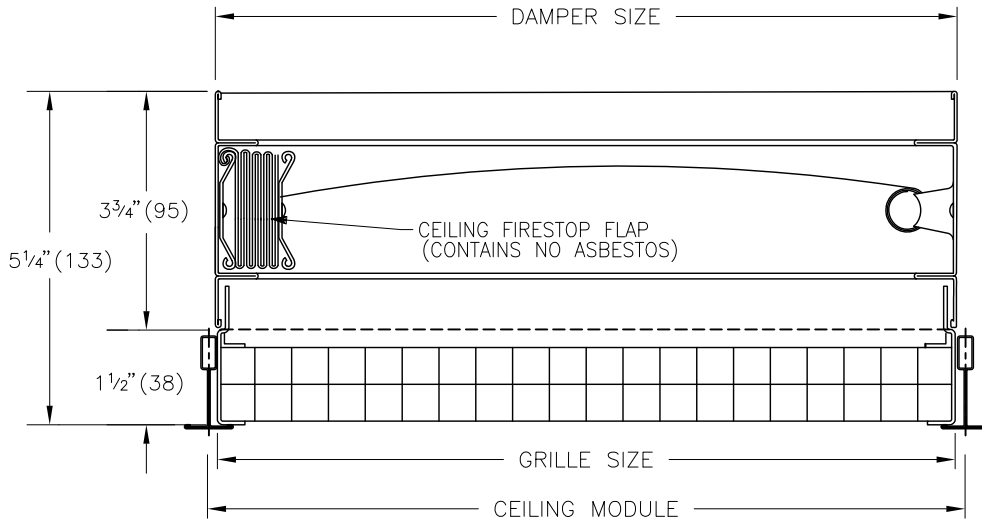
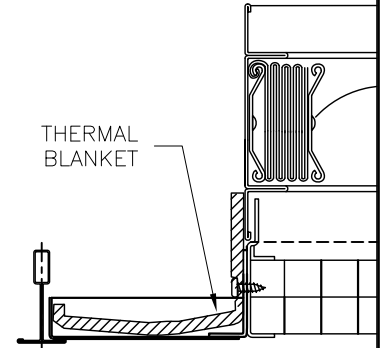


**81-FR RETURN AIR GRILLE FIRE RATED ASSEMBLY**



3P T-BAR PANEL



CEILING MODULE	GRILLE SIZE	DAMPER SIZE
12" (305) x 12" (305)	11 <sup>11</sup> / <sub>16</sub> " (297) x 11 <sup>11</sup> / <sub>16</sub> " (297)	11 <sup>3</sup> / <sub>4</sub> " (298) x 11 <sup>3</sup> / <sub>4</sub> " (298)
12" (305) x 24" (610)	11 <sup>11</sup> / <sub>16</sub> " (297) x 23 <sup>11</sup> / <sub>16</sub> " (602)	11 <sup>3</sup> / <sub>4</sub> " (298) x 23 <sup>3</sup> / <sub>4</sub> " (603)
24" (610) x 24" (610)	23 <sup>11</sup> / <sub>16</sub> " (602) x 23 <sup>11</sup> / <sub>16</sub> " (602)	23 <sup>3</sup> / <sub>4</sub> " (603) x 23 <sup>3</sup> / <sub>4</sub> " (603)

**MATERIAL:**

- STEEL CONSTRUCTION  
CORE: ALUMINUM CONSTRUCTION
- CEILING RADIATION DAMPER:  
CURTAIN TYPE, NON ASBESTOS  
GALVANIZED STEEL
- THERMAL BLANKET: NON ASBESTOS

**FINISH:**

- B12 WHITE  
(OPTIONAL FINISHES AVAILABLE)

**OPTION:**

- 165°F (74°C) FUSIBLE LINK (STANDARD)
- 212°F (100°C) FUSIBLE LINK
- 1/2" X 1/2" X 1" CORE

**NOTE:**

- FIRE RATED 3 HOUR.
- UL CLASSIFIED FIRE RATED CEILING DIFFUSER ASSEMBLY. LISTED IN UNDERWRITERS LABORATORIES FIRE RESISTANCE DIRECTORY.
- ULC CLASSIFIED FIRE RATED CEILING DIFFUSER ASSEMBLY. LISTED IN UNDERWRITERS OF CANADA LABORATORIES LIST OF EQUIPMENT AND MATERIALS.
- STANDARD CORE IS 1/2" X 1/2" X 1/2" STACKED
- FOR 3P PANEL OPTION MAX. NOM. GRILLE SIZE = MODULE SIZE - 4 (102). SPECIFY MODULE AND NOM. GRILLE SIZES AS PER ABOVE
- DUCT: STEEL OR FLEXIBLE DUCT CONNECTIONS (BY OTHERS) AS PER FIRE RATED DESIGN REQUIREMENTS.
- INSTALLATION INSTRUCTIONS: 228794 OR FOR PANEL SEE SUBMITTAL 233667
- FIRE RATED DIFFUSERS ARE TO BE INSTALLED IN FIRE RATED T-BAR APPLICATIONS ONLY.



ALL METRIC DIMENSIONS ( ) ARE SOFT CONVERTED. IMPERIAL DIMENSIONS ARE CONVERTED TO METRIC AND ROUNDED TO THE NEAREST MILLIMETER.

<b>PROJECT:</b>		<b>PRICE®</b>	
<b>ENGINEER:</b>		229699	<b>81-FR</b> EGGCRATE CORE GRILLE FIRE RATED ASSEMBLY
<b>CUSTOMER:</b>			
<b>SUBMITTAL DATE:</b>	<b>SPEC. SYMBOL:</b>	2015/04/01	